

4

3

2

1

THIS DRAWING IS UNPUBLISHED.

RELEASED FOR PUBLICATION

20

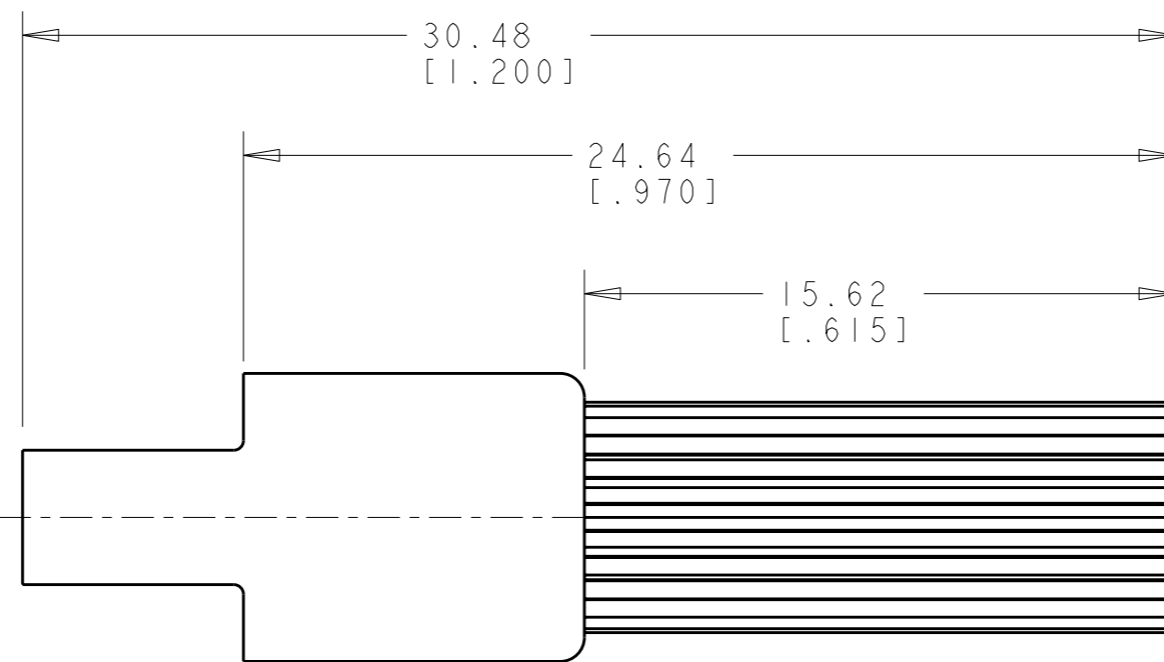
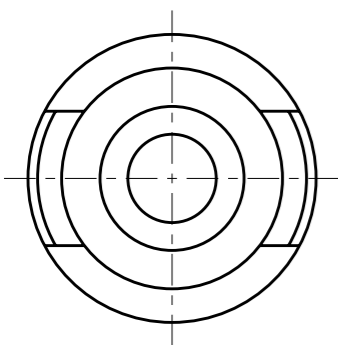
LOC
CM

DIST
00

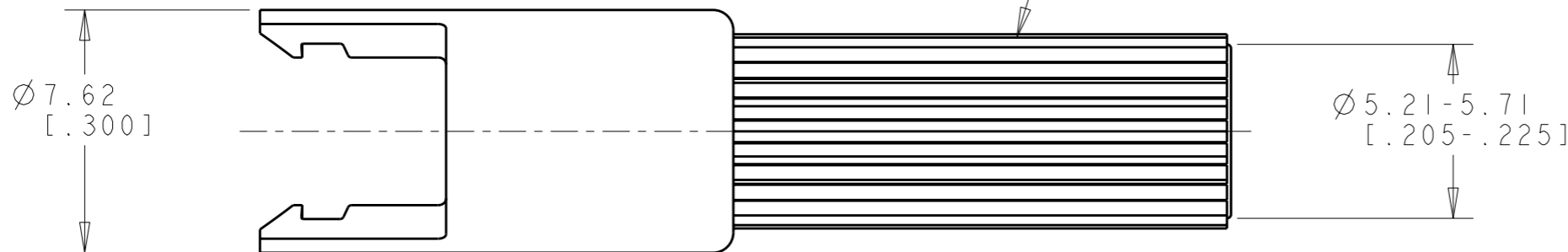
REVISIONS

© COPYRIGHT 20 BY - ALL RIGHTS RESERVED.

P	LTR	DESCRIPTION	DATE	DWN	APVD
	MI	REVISED PER ECO-11-005027	17MAR2011	RK	HMR



1. TO BE USED WITH MATE-N-LOK™ PINS
 2. MATES WITH PLUG 480349.
- 3 RIBS ARE OPTIONAL CONSTRUCTION AND MAY NOT APPEAR ON PART.

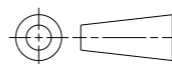


RED	1-480350-2
NATURAL	1-480350-0
COLOR	PART NUMBER

METRIC

THIS DRAWING IS A CONTROLLED DOCUMENT.

DIMENSIONS:
mm [INCHES]



MATERIAL
NYLON,
94V-2

TOLERANCES UNLESS OTHERWISE SPECIFIED:

0 PLC	±-
1 PLC	±-
2 PLC	±0.13 [.005]
3 PLC	±-
4 PLC	±-
ANGLES	±-

FINISH -

DWN	22-MAR-2002
K. WHITAKER	
CHK	22-MAR-2002
D. COLEY	
APVD	22-MAR-2002
D. COLEY	

PRODUCT SPEC -

APPLICATION SPEC -

WEIGHT -

CUSTOMER DRAWING

STE TE Connectivity

NAME
CAP,
SINGLE CIRCUIT,
COMMERCIAL MATE-N-LOK(TM)

SIZE	CAGE CODE	DRAWING NO	RESTRICTED TO
A3	00779	C-480350	-

SCALE 5:1 SHEET 1 OF 1 REV MI